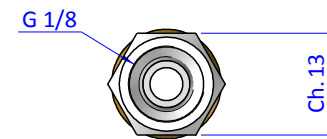
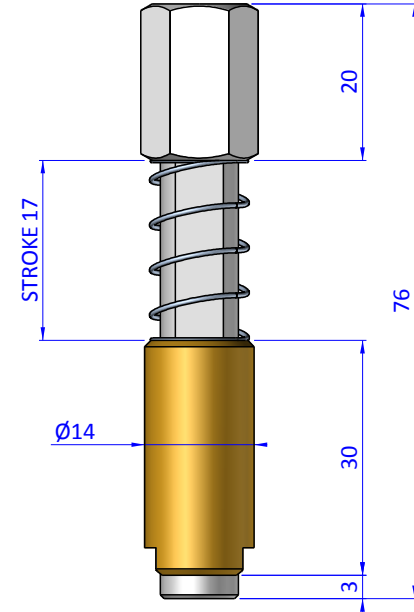
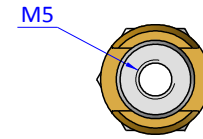
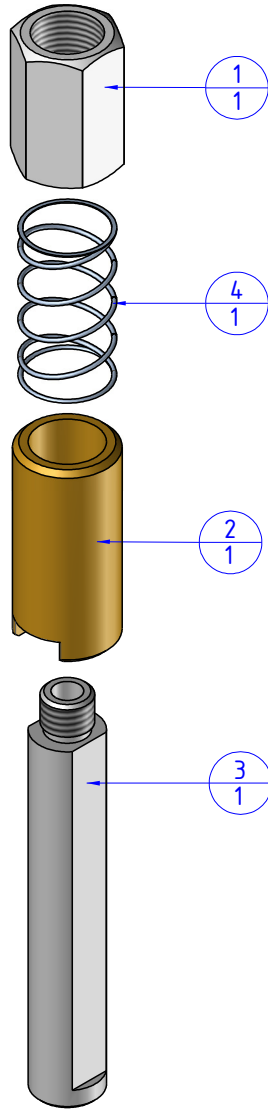


THE PROPERTY OF THE DRAWING IS ESTABLISHED BY LAW. IT IS FORBIDDEN TO PRODUCE OR SHOW IT TO THIRD PARTY, WITHOUT A WRITTEN AGREEMENT.

Item	Name	Q.ty
1	05.01.001.01	1
2	05.01.001.03.14	1
3	05.01.001.07	1
4	M.12x25	1



Format A3

UNI 936-76

		DESIGNED FROM		REVIEW
		FPSERVICES		A
GENERAL TOLERANCE		DATE	WEIGHT	
UNI - ISO 2768		14/02/2019	0,052kg	
CLASSE f		CODE	CA.05.02.012	
		CA.05.02.012		